

Design Bathtub

ERN Series





Touch of genuine natural materials

Refined design

Joy of getting luxury

All are yours.

Take ERN Series of Bathtub

The manufacturing know-how & technologies obtained through long track record of order-made bathtubs to hotels & Japanese Ryokan are now applied to standardized bathtub called ERN Series for family use.

Fragrant Japanese Cypress used to upper frame and soothing green Towada stone lined with inner surface relax yourself as if you were in a hot spring bathing. Enjoy deep peaceful & indispensable time.



DESIGN CONCEPT

Strictly selected & refined material, design & specifications will deliver excellent relaxing moment.



CONCEPT-1

Own Development and Original Design.

Secured bathing in/out, relaxed positioning, sufficient bathing time and smooth discharging function will meet customer's real satisfaction.



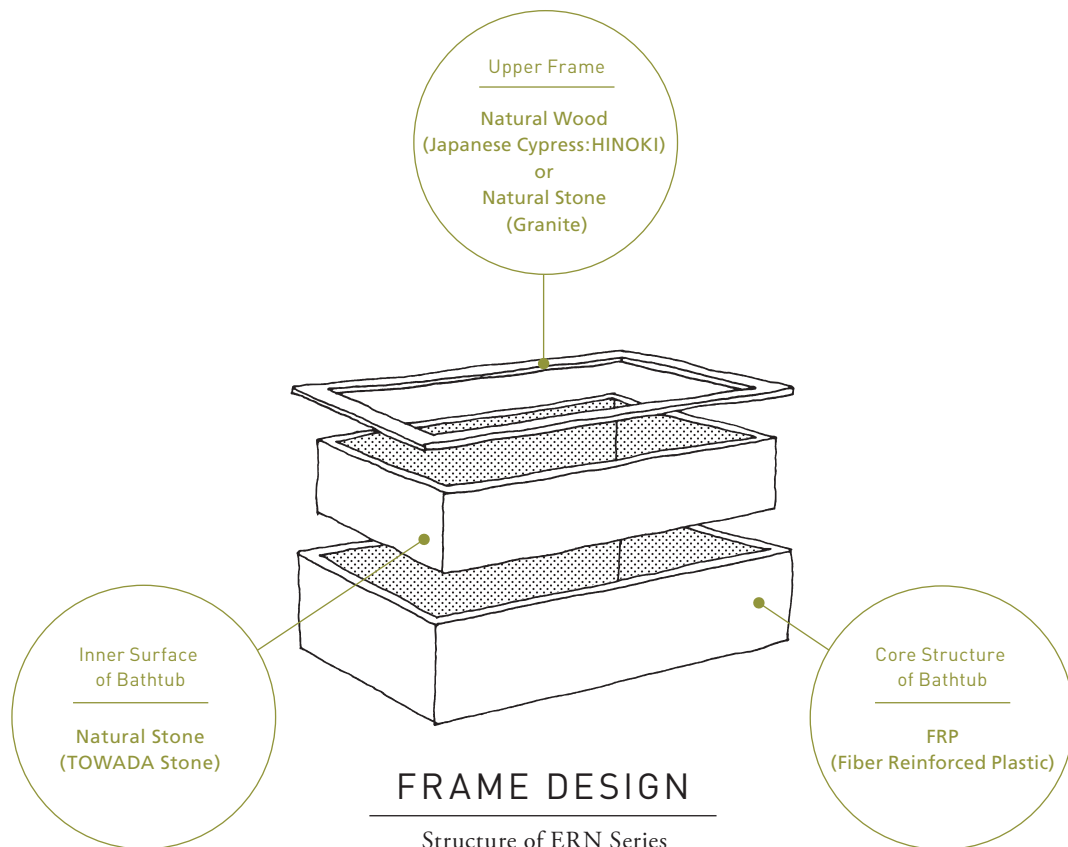
CONCEPT-2

Authentic Material and Refined Design

Beautiful grain & fragrance of Japanese Cypress on Upper Frame and brilliant green Towada stone with hot water will bring fantastic joy of another bathing world.

Message from the Developer

We, Ustech Corporation has delivered a variety of bathtubs designed and manufactured to respective customer's needs and requirements. Such technologies and know-how as accumulated through track record were our strong motivation to develop a model bathtub suitable to family use. Having gone through a process of try & error we could finally complete the model which is superior not only in its creativity but in succeeding to Japanese bathing culture. We are confident to call ERN Series a Mater of Art.



PRODUCTION & QUALITY

Manufacturing strictly in accordance with detailed specifications.

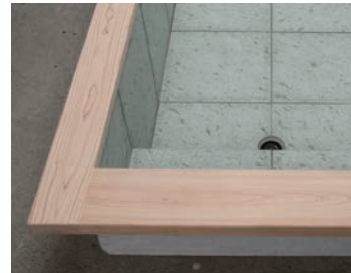
There is no spirit of compromise in every process from material selection up to manufacturing process. We are proud of overwhelming craftsmanship to create a quality space.



Upper frame made from Japanese Cypress opens your mind giving out a fragrance in full of Japanese taste.



Gentle to your eyes is Towada Stone. Inner surface of bathtub is lined with natural Towada Stone which becomes brilliant green once bathtub is filled with hot water and has such features as anti-slipping, high heat holding & superior functioning.



Bathtub manufactured by master of art craftsmanship

The core inner structure of bathtub is made from FRP which is superior in endurance and water-tightness. Professional handy craftsmanship ensures a perfect stone lining process on it. Prior to dispatch the bathtub is inspected in details one by one and shipped out only after approved by its inspector.

<Daily Maintenance>

After bathing, please wash inner surface by water using soft washing sponge. In case of hard stain please use synthetic detergent which should be washed out completely by water, while please do not use hard metal brush to avoid any risk of scratch. Also please do not use dryer leaving the bathtub for natural drying.

<Following items are prohibited>

Aroma Oil, Massage Salt, Alcohol, Colored Items either liquid or non-liquid. In case oils or lotions are used on body, they must be washed out before bathing.

ERN SERIES

PRODUCTS LINEUP



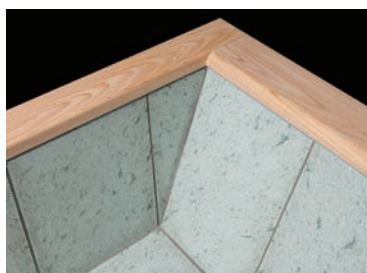
01

WOOD FRAME TYPE

Admired combination of
Japanese Cypress and Towada Stone.
Enjoy calm & soothing atmosphere.



Characteristics of ERN Series



Back Rest and Head Rest
Optimized size and angle enables long
relaxed bathing.



Step Foot Rest
Secured step in/out of bath tub and easy stay
in it.



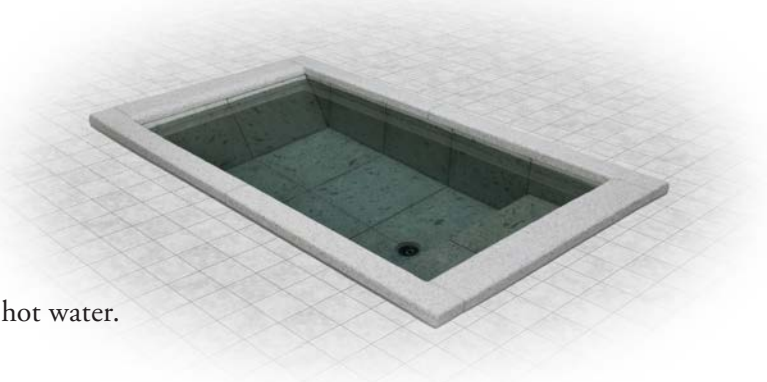
Drain Plug
Simple rubber drain plug eases discharging.



02

STONE FRAME TYPE

Another ERN model is made from luxurious natural stone including upper frame. Inner surface is lined with Towada stone which changes its color to brilliant green with hot water.



PRODUCTS LIST

The size of bathtub can be selected from below list.

[ERN-1609 Wood Frame]

1600x910x529-546mm
Max Water Volume 377 lit
Weight : 113 kg

[ERN-1608 Wood Frame]

1600x810x520-546mm
Max Water Volume 330 lit
Weight : 100 kg

[ERN-1508 Wood Frame]

1500x810x529-546mm
Max Water Volume 300 lit
Weight : 92 kg

[ERN-1609 Stone Frame]

1600x870x532-549mm
Max Water Volume 377 lit
Weight : 143 kg

[ERN-1608 Stone Frame]

1600x770x532-549mm
Max Water Volume 332 lit
Weight : 127 kg

[ERN-1508 Stone Frame]

1500x770x532-549mm
Max Water Volume 300 lit
Weight : 120 kg

PERIPHERALS (Optional Items)

Hot Water-Inlet made from either wood or stone enhances atmosphere of hot spring bathing.



Customer can choose material depending on bathtub design.

Inside of the inlet is covered by either stainless steel or FRP material, which is more durable than conventional product and easy for plumbing owing to integrated piping system of hot/cold water.



WS-SN1

Flexible to any bathtub.

Size: 200W x 320D x 215H
 Material : Wood (Japanese Cypress)
 Max.Water Volume : 22 lit/min
 Weight : 2.6kg



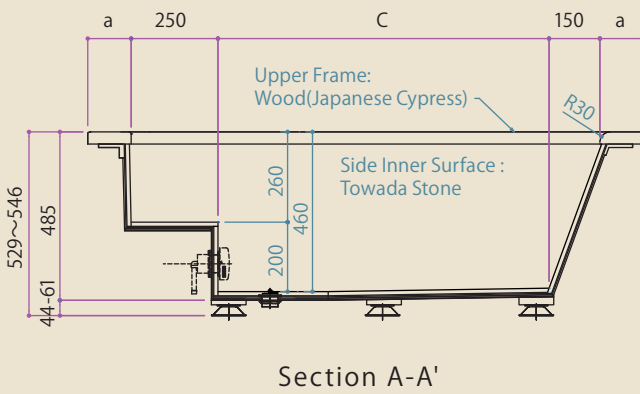
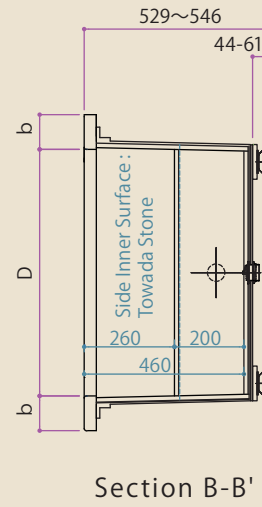
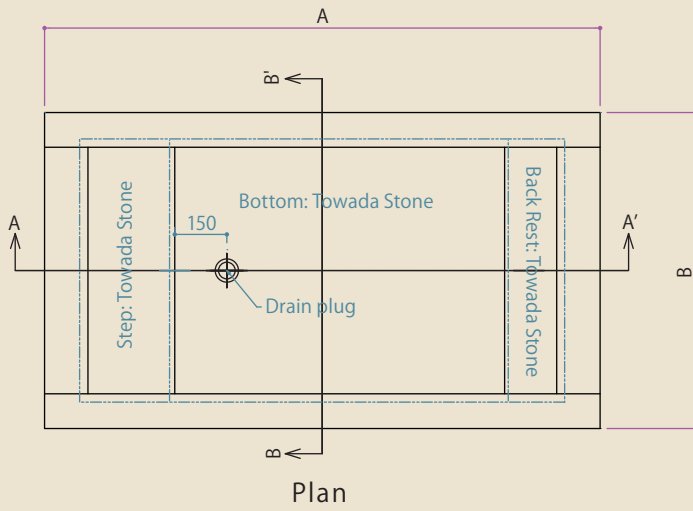
SS-SN1

Unique Design, Made of Stone.

Size : 200W x 325D x 215H
 Material : Stone (G365, Polished)
 Max.Water Volume : 22 lit/min
 Weight : 10.2kg



ERN SERIES



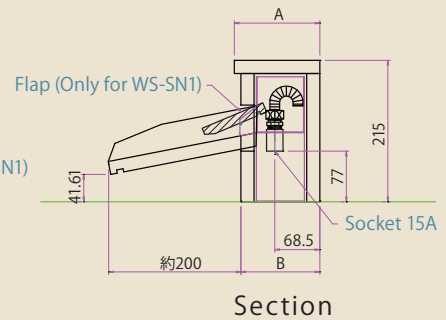
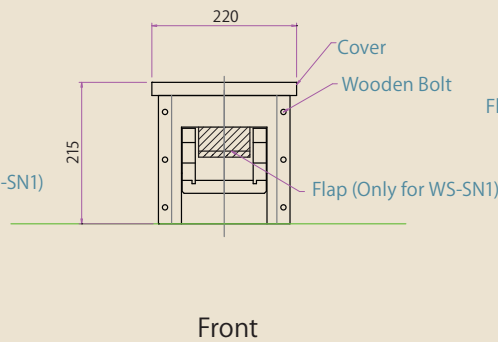
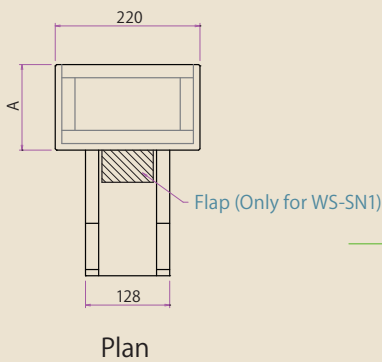
WOOD FRAME TYPE

Model Name	A	B	C	D	a	b	Volume	Weight
ERN-1508	1500	810	850	610	125	100	300	92
ERN-1608	1600	810	950	610	125	100	330	100
ERN-1609	1600	910	950	710	125	100	377	113

STONE FRAME TYPE

Model Name	A	B	C	D	a	b	Volume	Weight
ERN-1508S	1500	770	850	610	125	80	300	120
ERN-1608S	1600	770	950	610	125	80	332	127
ERN-1609S	1600	870	950	710	125	80	377	143

Hot Water Inlet



WS-SN1 & SS-SN1

Model Name	Material	A	B	Max. Output (lit)	Weight
WS-SN1	Wood: Japanese Cypress	130	120	22 l / min	2.6
SS-SN1	Stone: Japanese G365	135	125	22 l / min	10.2

USTECH CORPORATION

Head Office

Housquare Yokohama 4F
1-4-1, Nakagawa, Tsuzukiku, Yokohama,
Kanagawa Pref., Japan
Postal code : 224-0001
Tel : +81-45-914-0026
Fax : +81-45-914-0030

Tokyo office

Spline Aoyama Tokyu BLD 6F
3-1-3 Minami-aoyama, Minato-ku, Tokyo, Japan
Postal code : 107-0062
Tel : +81-3-3408-9026

Yokohama Showroom

Housquare Yokohama 1F
1-4-1, Nakagawa, Tsuzukiku, Yokohama,
Kanagawa Pref., Japan
Postal code : 224-0001
Tel : +81-45-910-5030

Itoh Factory

15, Izumi, Itoh City, Shizuoka Pref., Japan
Postal Code : 414-0055
Tel : +81-557-37-8818
Fax : +81-557-37-8921

www.ustech-jp.com